



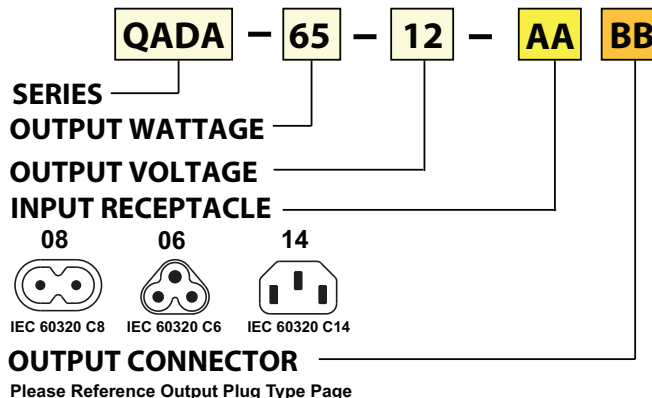
Features:

- Universal AC input/ Full Range
- Energy Efficiency Level VI
- ErP Step 2 Compliant
- NRCAN and GEMS Compliant
- Output Protections: OVP/SCP/OC
- No Load Power Consumption <0.21W
- 1 Year Warranty

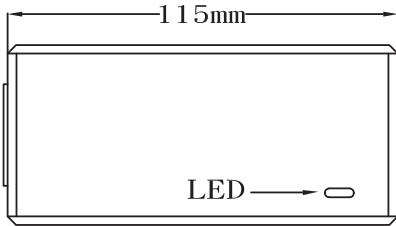


Model	QADA-65-12	QADA-65-13.5	QADA-65-15	QADA-65-16	QADA-65-18	QADA-65-19	QADA-65-20	QADA-65-24	QADA-72-24	QADA-65-30	QADA-65-32	QADA-65-48	QADA-65-56
Output Characteristics													
DC Output	12V	13.5V	15V	16V	18V	19V	20V	24V	24V	30V	32V	48V	56V
Rated Current	5.0A	4.82A	4.34A	4.07A	3.62A	3.43A	3.25A	2.71A	3.00A	2.17A	2.04A	1.36A	1.17A
Ripple and Noise	±2% Vo @ Rated Load												
Load Regulation (Typ.)	±5%												
Transient Response (Typ.)	0.5mS for 50% Load Change												
Hold-up Time (Typ.)	10mS @ Rated Load												
Output Protection	Short Circuit, Over Voltage, Over Current												
Ferrite Core	Yes												
Input Characteristics													
Voltage Range	100VAC~240VAC												
Frequency Range	50Hz-60Hz												
Efficiency	DoE Level VI, Energy Star, ErP Step 2, NRCAN & GEMS Level VI Certified												
AC Current (max)	1.4A (65W), 1.6A (72W)												
Input Protection	Internal Primary Current Fuse, Inrush Limiting												
Leakage Current	0.25mA (2 Conductor), 3.5mA (3 Conductor)												
Environmental Characteristics													
Operating Temperature	0°C~40°C												
Operating Relative Humidity	20% RH to 80% RH												
Storage Temperature	-20°C~80°C, 10% RH to 90% RH												
Topology	Switching Flyback												
Dielectric Withstand	3000VAC Primary-Secondary												
EMI Conduction & Radiation	Compliance to EN55022 Class B												
Harmonic Current	Compliance to EN61000-3-2, 3												
EMS Immunity	IEC61000-4-2, 3, 4, 5, 6, 8, 11												
Characteristics													
MTBF	300,000Hrs (25°C, Telecordia SR-332)												
Dimension (LxWxH)	115x53x38mm												
Weight	310g												

PART NUMBER SYSTEM

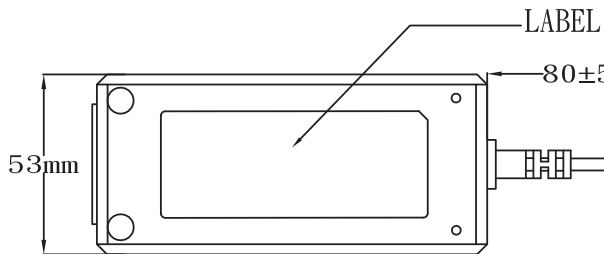


MECHANICAL SPECIFICATIONS

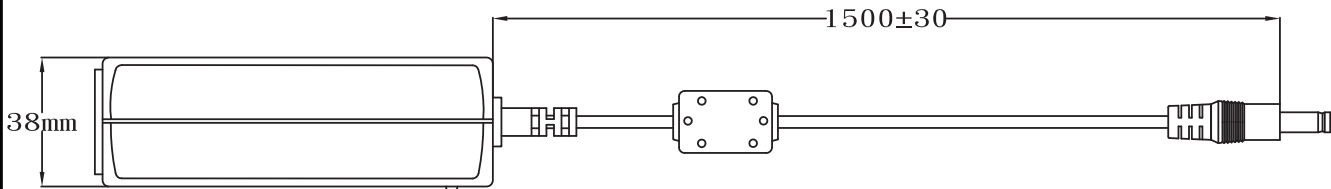


TOP-VIEW

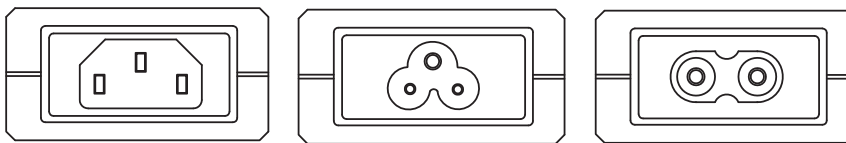
UL1185 16AWG for 12 ~ 16V
 UL2468 18AWG for 18 ~ 32V
 UL2468 22AWG for 48 ~ 56V



BOTTOM-VIEW

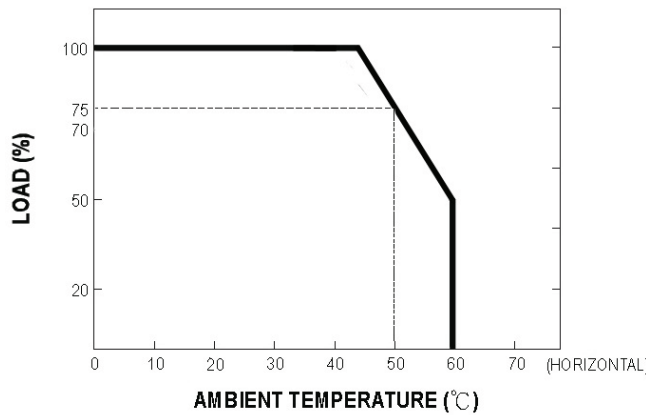


SIDE-VIEW



FRONT-VIEW

DERATING CURVE



UNIT: mm